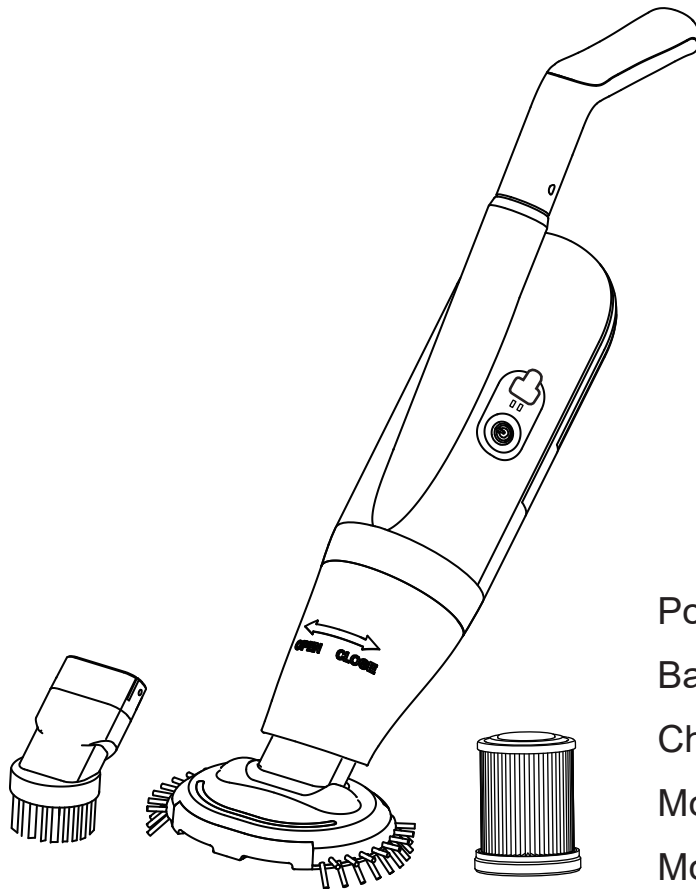


# AQUAJACK 223

## Instruction manual



Power Rating: 10W

Battery: 3.7V /2000mAh

Charging power: 5V DC, 1.0A

Motor voltage: 3.7V DC

Motor voltage: IPX8



Ningbo Poolstar Pool Products Co., Ltd  
[www.cnpoolstar.com](http://www.cnpoolstar.com)

# SAFETY WARNING

---

The cleaner is not a toy, and is operated by people older than 8 years age. Any people who operates the cleaner, has to read the manual carefully before work it.

- (1)The cleaner is designed to clean the swimming pool, spa.
- (2)Please use the original batteries and charger when using.(Only available for AquaJack 223) .
- (3)Only charging it when the cleaner is power off.
- (4)Put the cleaner into a clean and dry place. Do not expose it under the sun, or close to explosive.
- (5)Do not work it when out of water.
- (6)Do not close to the vacuum head when it is working, due to its suction power, especially for the human body, animals, hairs or clothes.
- (7)Do not disassemble the cleaner without professional guidance or notice from the authorized distributor or manufacturer.
- (8)Do not leak the lubricant oil, and it causes water polluted.
- (9)Stop to work the cleaner when there is anything wrong; Please contact with the authorized distributor or replace it to the original parts/accessories.
- (10)Cleaner working conditions:
  - (10)-1 Water depth from 40cm to 300cm.
  - (10)-2 Water temperature: 4°C( 39.2°F )-35°C( 95°F ).

## USB line

- (1)Only output voltage 5V is allowed for charger including USB joint.
- (2)For indoor use only. The charger should not be used outdoor and not be exposed to rain, humidity, any liquid or heat.
- (3)Keep the charger out of children.
- (4)Never use the charger if any damage is found.
- (5)Do not handle the cleaner and charger with wet hands and bare feet , when charging the cleaner.
- (6)Disconnect the charger from power when not in use.
- (7)If the USB line is damaged, it must be replaced by a new charger to avoid danger.

(8) Make sure the cleaner, USB lane and charger are totally dry before charging.

(9) Charge the cleaner 5 hours prior to the first use. Normally cleaner can be operated about 30 minutes after fully charged.

### Battery disposal

(1) The robot battery is a lithium battery, it must be disposed properly, please contact with your local authority for more information.

(2) Never attempt to disassemble the lithium battery.

(3) Remove all personal items such as rings, bracelets, necklaces and watches when unwiring a lithium battery from the vacuum unit.

(4) The battery causes short circuit current, as well as severe burning when it is high enough.

(5) Wear complete eye protection, gloves and protective clothing when removing the battery pack.

(6) No smoking or sparkling flame near the robot, or it may cause unknown gases.

(7) If acid comes in contact with skin and clothing, wash immediately with plenty of soap and water.

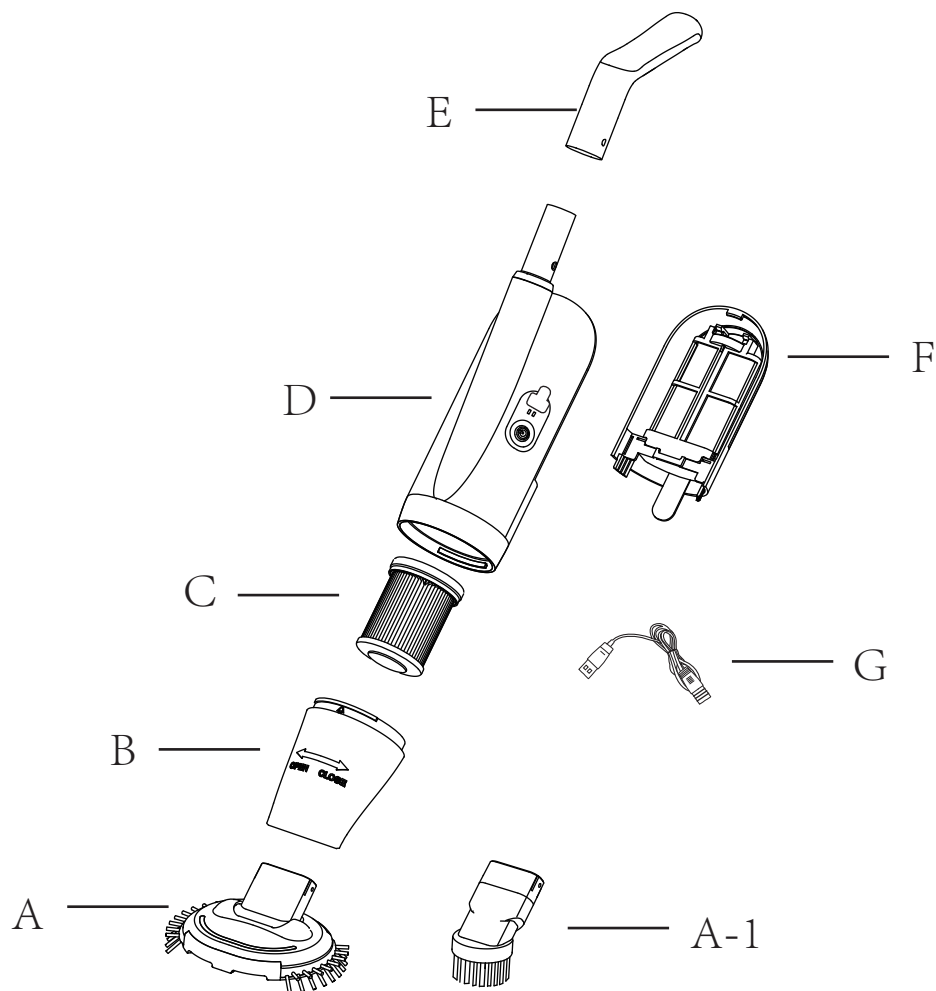
(8) If acid comes in contact with eyes, immediately flood eye with running cool water for at least 15 minutes. Get medical attention immediately.

**Above warning and cautions are not intended to incorporate all possible instances for risks and/or severe injury.** Pool/spa owners should always exercise intensive caution and common sense when operating the cleaner.

# How to use it

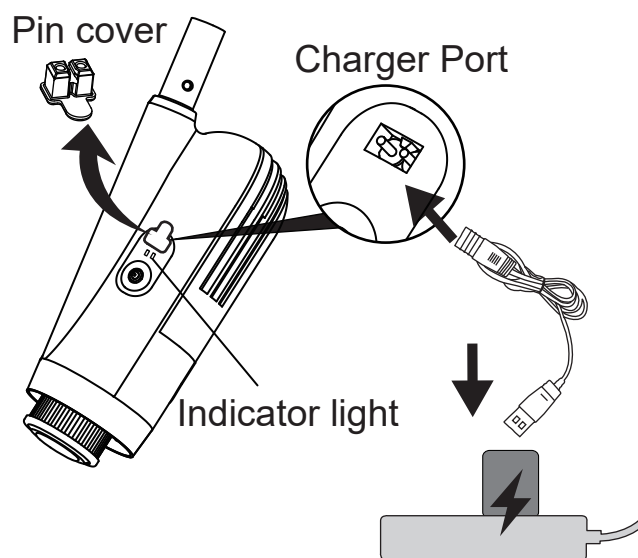
## Assembly

- A. Vacuum head
- A-1. Round Brush
- B. Front filter
- C. Paper filter
- D. Motor body
- E. Portable handle
- F. Back filter
- G. USB charger



## 1. Charger connection

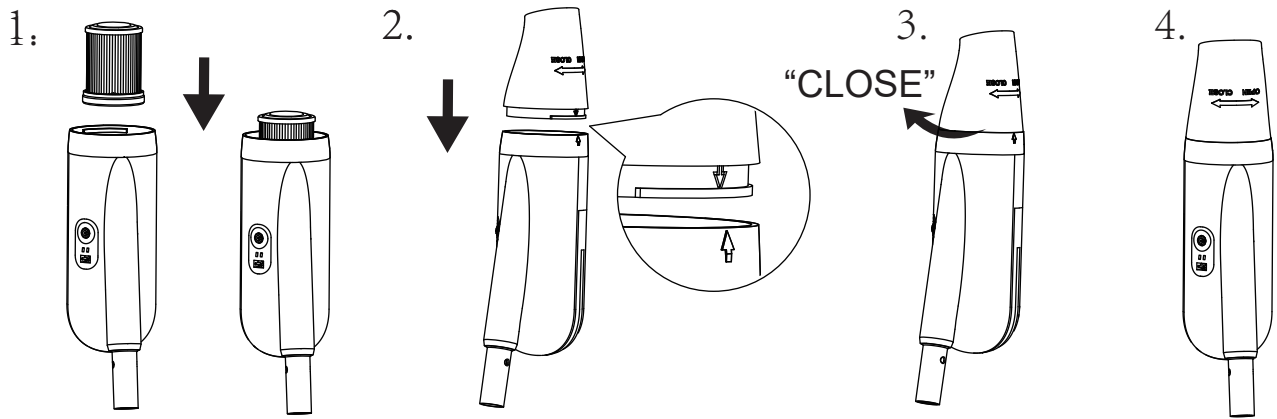
- 1.1 Plug one end of the charging cable into the USB charger and one end of the charger into the power supply.
- 1.2 Plug the other end of the charging line into the charging port of the cleaner (as shown in the figure). At this time, the red indicator of the product lights up, indicating normal charging.
- 1.3 After about 5 hours, the green indicator of the charger lights up and the battery is fully charged.
- 1.4 When fully charged, pull the charger out, and put back the pin cover to the charging port. Make sure it is sealed before entering the water.



## 2. Installation

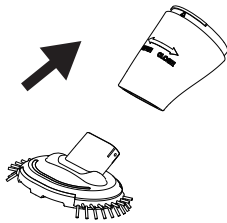
### 2.1 Filter element assembly and body parts assembly

Assemble the body parts in the direction of the arrow.



### 2.2 Assembly of vacuum head

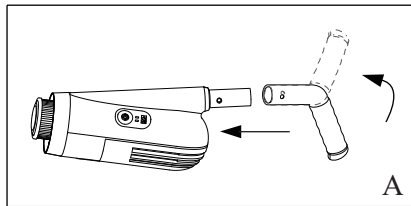
Insert the entire vacuum head directly into the Front filter.



### 2.3 Handle assembly

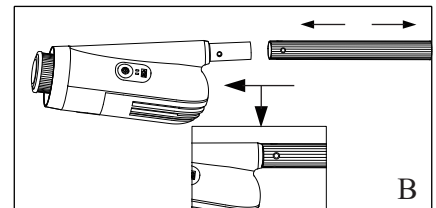
#### (1) Handle assembly

This handle is used to clean walls, steps, seats and corners, as shown in figure "A".



#### (2) Assembly of telescopic pole (not included)

Cleaner can be connected to a standard telescopic pole, as shown in figure "B".

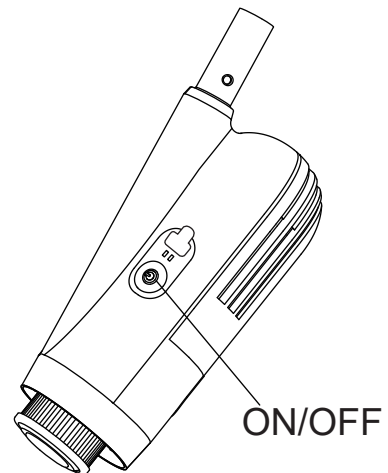


**Note:** the product can be connected with handle or a standard telescopic pole B (telescopic rod B is optional and needs to be purchased additionally).

## 3. Power ON/OFF

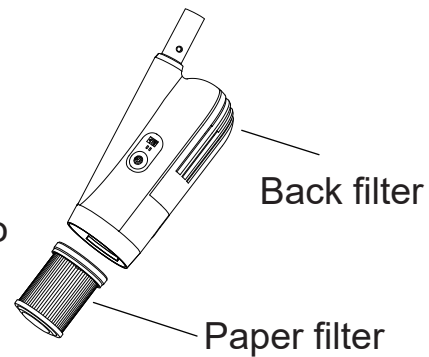
3.1 Press and hold the power switch button of the cleaner for 2-3 seconds to start the machine. Please put the product into water for operation to prevent oil seal failure when the product idles.

3.2 When the switch button is pressed again, the cleaner shuts down.



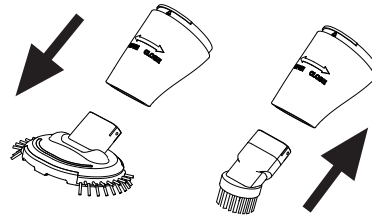
## 4. When to use paper filter ?

There is a paper filter with shipment, it is used to collect fine dust and rubblishes; For daily cleaning, such as leaves, fruits, stone, there is no need to such a paper filter.



## 5. How to use vacuum head ?

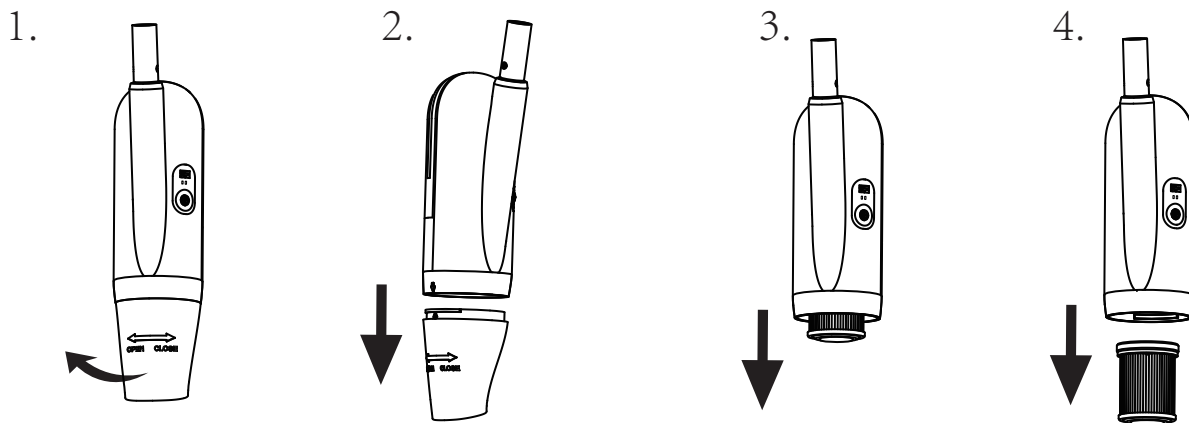
To use the cleaner with round brush for corners of the pool, it can be after or with the high speed as it can be used at same to cleans angles of pools and steps of the pool.



## 6. Garbage cleaning

### 6.1 Cleaning of front filter and paper filter

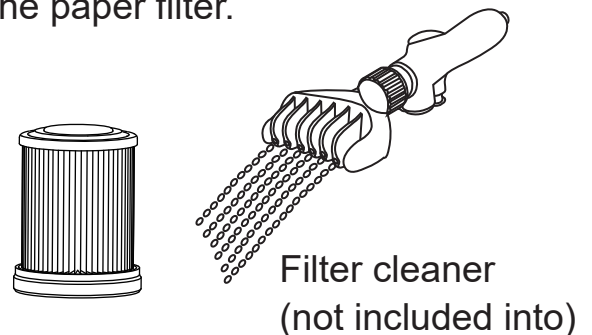
(1) Rotate in the "open" direction as shown in the figure to remove the front filter and paper filter from the body.



(2) Clean out the garbage in the front filter .

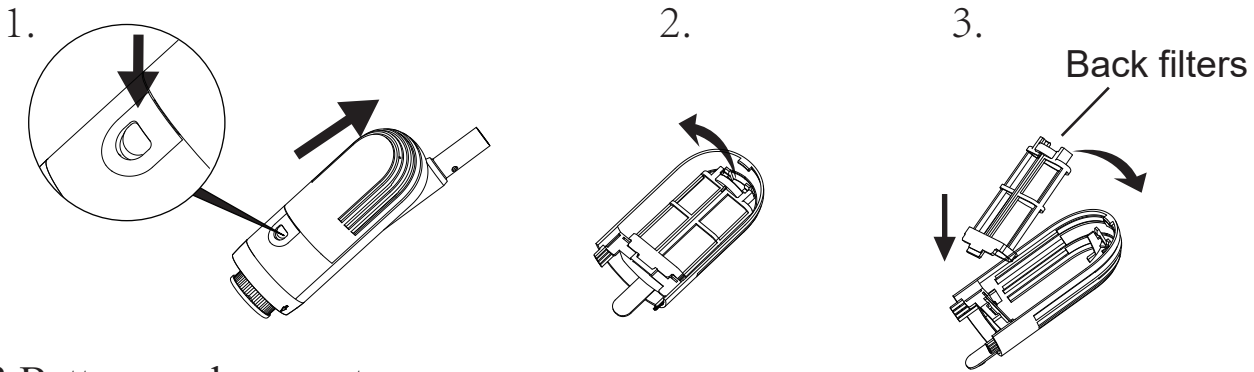
(3) Use a paper filter cleaner / machine to clean the paper filter. (The cleaner / machine needs to buy seperately).

(4) First install the cleaned filter element to the body, then install the front filter to the body, and tighten the front filter to the "close" direction. (Reference: 2.1 filter element assembly and large body component assembly)



## 6.2 Back filters cleaning

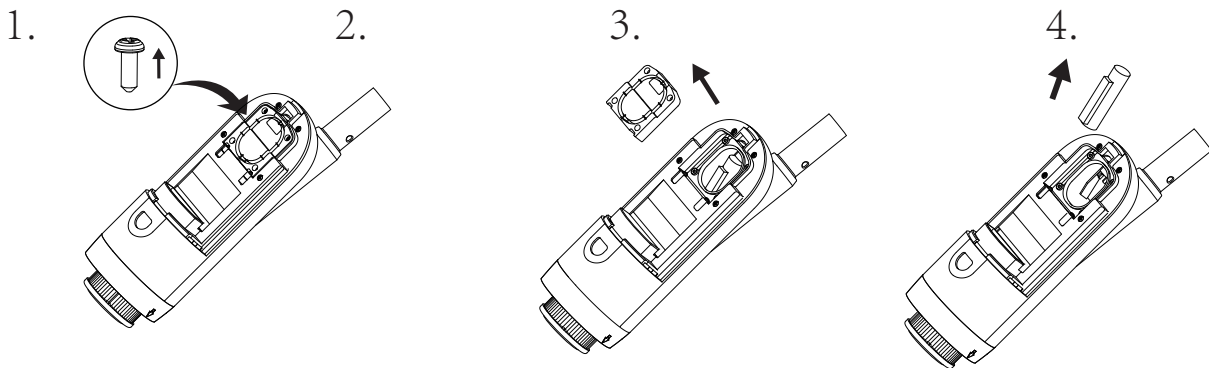
- (1) Press and hold the button at the front end of the back filter to remove the whole filter cover from the body;
- (2) Then take out the internal filter screen;
- (3) Clean the internal filter screen;
- (4) After cleaning, reinstall the internal filter screen as shown in the figure, and then assemble the filter cover on the body.



## 6.3 Battery replacement

**NOTE: User must consult dealer before any battery replacement.**

Unscrew the screws, take out the battery fixing plate, gently press the battery power cord, separate and replace the battery.



# Maintenance and storage

1. The battery discharges itself during storage. Make sure the cleaner is fully charged before storage.
2. When not in use, you must recharge the battery at least every three months.
  - Unplug the external adapter from the socket and then the charging cable from the external adapter and the cleaner.
  - Remove the accessories from the cleaner. If necessary, rinse the cleaner and accessories with clean water. Do not use detergent.
  - Make sure the cleaner is drained before storage.
  - Use a wet cloth to clean and dry the cleaner and its accessories.
  - Store in a well ventilated place away from sunlight, heat, fire sources, pool chemicals and children.
  - The storage environment temperature should be 10 °C – 25 °C (50 °F– 77 °F). Note: higher temperature may shorten battery life.

# Troubleshooting

If you have problems with your cleaner, follow the troubleshooting steps below to restore performance. Note: turn off the power before making any repairs.

Problem	Possible causes	Solution
Unable to clean garbage	The battery is low	Please Recharging
	Impeller clogging	Turn off the cleaner and check the impeller to remove the garbage. If necessary, contact your dealer for further instructions. Warning! Before servicing the equipment, make sure that the cleaner is turned off.
	Impeller damage	Please contact your dealer for replacement.
	The filter is full	Clean up the garbage from the filter screen.
	There is too much garbage in the filter element	Clean the garbage of filter element.
Garbage flows out of the front transparency	Anti pour blade damage	Replace the anti reverse flow piece. Please contact your dealer for replacement parts.
	The garbage is too full	Clean the waste of filter screen and filter element.
Rubbish is leaking out of the filter bag	The filter bag is damaged	Replace the filter bag. Please contact your dealer for replacement parts.
The handle / telescopic link cannot be assembled correctly	V-clip damaged	Replace the v-clip. Please contact your dealer for replacement parts.
The fully charged battery cannot start the product after pressing the switch	Battery damage.	Please contact the dealer to replace the battery. Warning! Don't turn on the cleaner and replace the battery yourself. This can cause serious or fatal injury, so the warranty will not be valid.
The power consumption is too fast. After starting the product, the overall working time is obviously less than the rated time.		
When charging the product, the indicator will not light up. (ensure that the charger and cleaner are connected correctly and completely)	The charging is damage.	Contact the dealer for replacement. Warning! Using the wrong external adapter will result in damage to the cleaner / battery and void the warranty.
If the charging time exceeds 6-8 hours, the red light is always on and the green light is not on.		