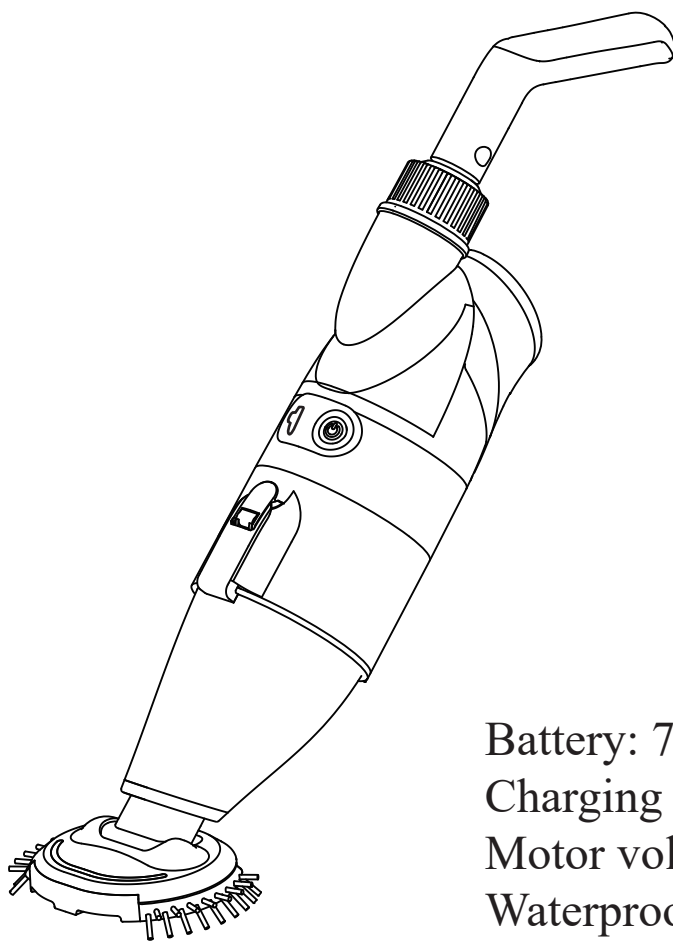


AQUAJACK 222

Electric cordless rechargeable pool and spa vacuum cleaner
Instruction manual



Battery: 7.4V /2000mAh
Charging power: 8.4V DC, 1.0A
Motor voltage: 7.4V DC
Waterproof grade: IPX8



Ningbo Poolstar Pool Products Co., Ltd
www.cnpoolstar.com

SAFETY WARNING

When installing and using this electrical equipment, you should always follow the basic safety precautions. Please read the following carefully

Warning!

The cleaner is not a toy, and is operated by people older than 8 years age. Any people who operates the cleaner, has to read the manual carefully before work it.

- (1)The cleaner is designed to clean the swimming pool, SPA.
- (2)Please use the original batteries and charger when using.
- (3)Only charging it when the cleaner is power off.
- (4)Put the cleaner into a clean and dry place. Do not expose it under the sun, or close to explosive.
- (5)The filter bag is easy to be broken when there is sharp substances under water.
- (6)Do not close to the vacuum head when it is working, due to its suction power, especially for the human body, animals, hairs or clothes.
- (7)Do not disassemble the cleaner without professional guidance or notice from the authorized distributor or manufacturer.
- (8)Do not leak the lubricant oil, and it causes water polluted.
- (9)Stop to work the cleaner when there is anything wrong; Please contact with the authorized distributor or replace it to the original parts/accessories.
- (10)Cleaner working conditions:
 - (10)-1 Maximum applicable water depth: 3 m (10 ft)
 - (10)-2 Water temperature: 4°C(39.2°F)-35°C(95°F)

1. Charger

- (1)Use the original charger provided only.
- (2)For indoor use only. The charger should not be used outdoor and not be exposed to rain, humidity, any liquid or heat.
- (3)Keep the charger out of children.
- (4)Never use the charger if any damage is found.

- (5) Do not handle the cleaner and charger with wet hands and bare feet, when charging the cleaner.
- (6) Disconnect the charger from power when not in use.
- (7) If the wire is damaged, it must be replaced by a new charger to avoid danger.
- (8) Make sure the cleaner and charger are totally dry before charging.
- (9) Charge the cleaner 4 hours prior to the first use. After fully charged, it works 60 mins.

2. Battery disposal

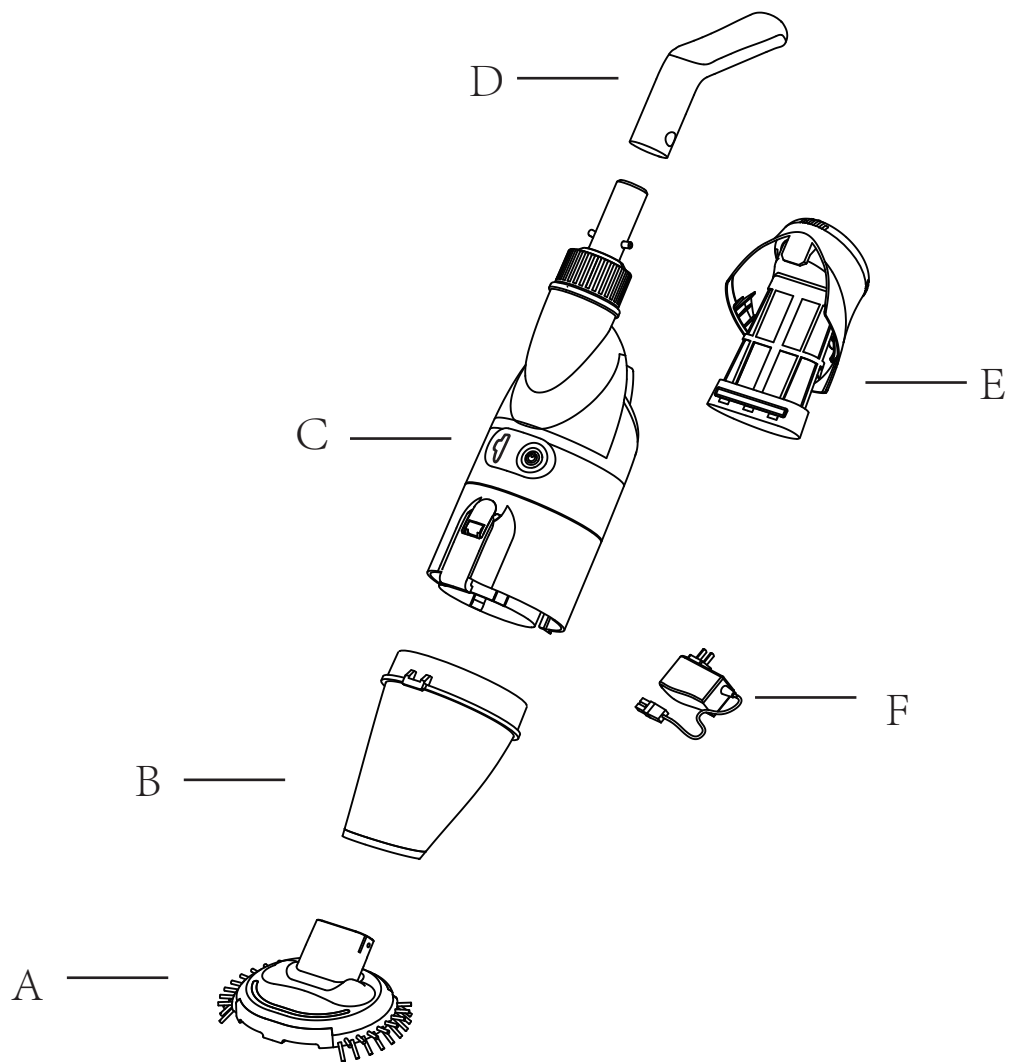
- (1) The cleaner battery is a lithium battery, it must be disposed properly, please contact with your local authority for more information.
- (2) Never attempt to disassemble the lithium battery.
- (3) Remove all personal items such as rings, bracelets, necklaces and watches when unwiring a lithium battery from the vacuum unit.
- (4) The battery causes short circuit current, as well as severe burning when it is high enough.
- (5) Wear complete eye protection, gloves and protective clothing when removing the battery pack.
- (6) No smoking or sparkling flame near the cleaner, or, it may cause unknown gases.
- (7) If acid comes in contact with skin and clothing, wash immediately with plenty of soap and water.
- (8) If acid comes in contact with eyes, immediately flood eye with running cool water for at least 15 minutes. Get medical attention immediately.

Above warning and cautions are not intended to incorporate all possible instances for risks and/or severe injury. Pool/spa owners should always exercise intensive caution and common sense when operating the cleaner.

How to use it

Assembly

- A: Vacuum head
- B: Front filter
- C: Motor body
- D: Portable handle
- E: Back filter
- F: Charger

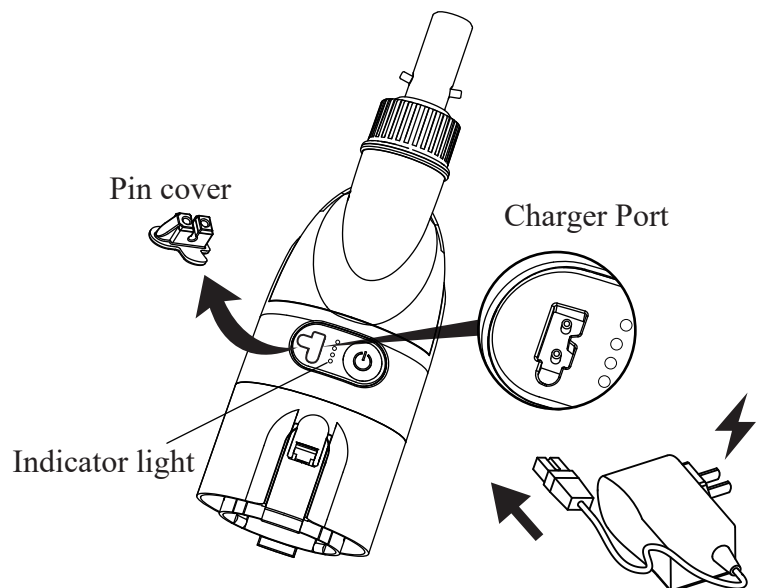


1. Charger connection

(1) Plug one end of the charger into the power socket, and then plug the other end of the charger into the charging port of the cleaner. At this time, the three green indicator lights on the cleaner flash circularly, indicating normal charging.

(2) After about 4 hours, three green indicator lights are on for a long time to indicate that the charging is completed.

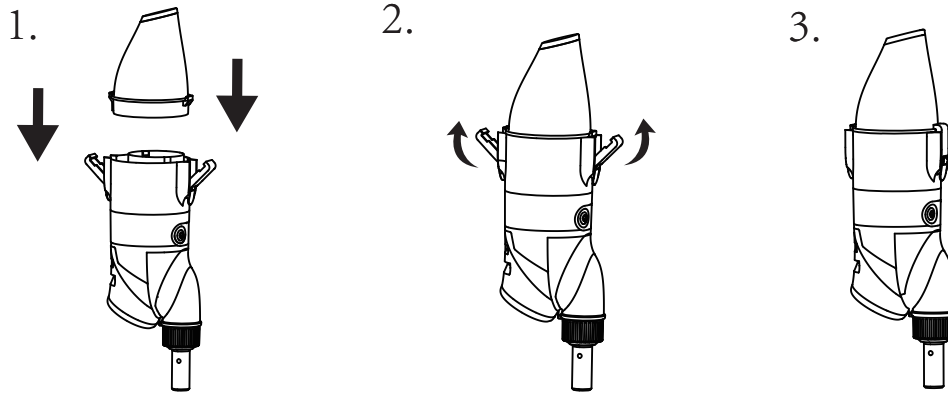
(3) When fully charged, pull the charger out, and put back the pin cover to the charging port. Make sure it is sealed before entering the water.



2. Installation

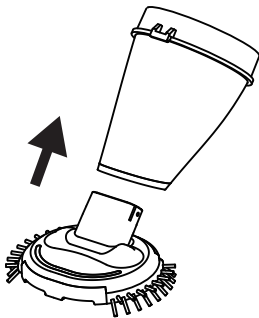
2.1 Body parts assembly

Assemble the body parts in the direction of the arrow.



2.2 Assembly of suction head

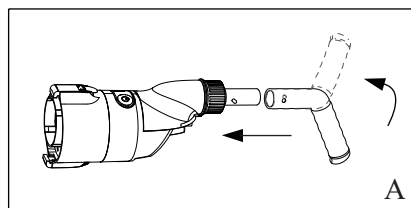
Insert the entire suction head directly into the Cover the garbage.



2.3 Handle assembly

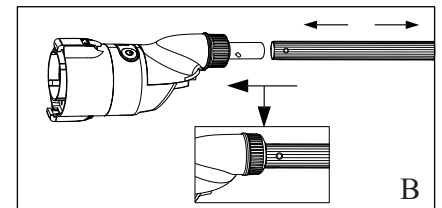
(1) Handle assembly.

This handle is used to clean walls, steps, seats and corners, as shown in figure "A"



(2) Assembly of telescopic rod (not included)

Cleaner can be connected to a standard telescopic rod, as shown in figure "B".



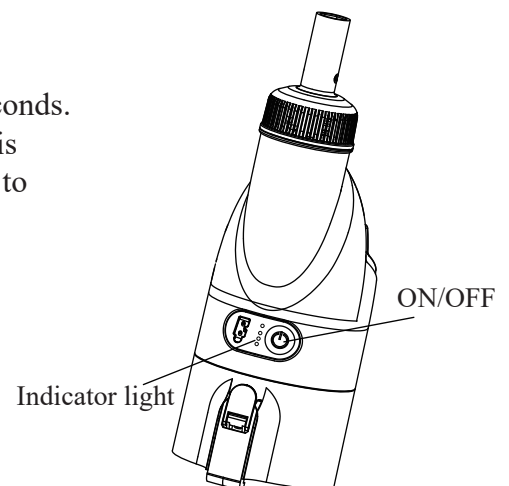
Note: the product can be connected with handle or a standard telescopic rod B (telescopic rod B is optional and needs to be purchased additionally).

3. Power ON / OFF

3.1 Press and hold the power switch button of the cleaner for 2-3 seconds.

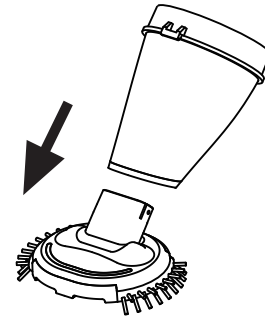
If the "green" indicator light is always on, it means the machine is started. Please put the product into the water for operation, so as to prevent the seal failure of the oil seal when the product is idling.

3.2 Press the switch button again, all the indicator lights are off and the cleaner is turned off.



4. How to use vacuum head ?

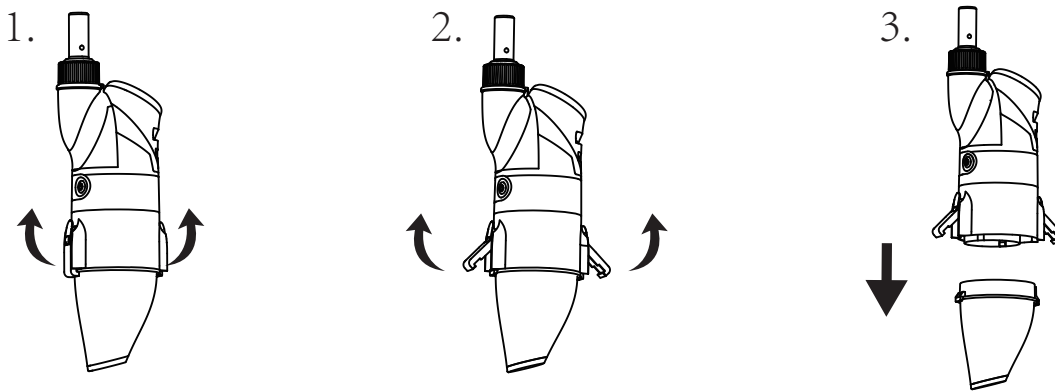
To use the cleaner without vac head for corners of the pool, it can be used at same to cleans angles of pools and steps of the pool.



5. Garbage cleaning

5.1 cleaning of front transparent garbage cover

(1) For example, the buttons on the two sides of the transparent garbage cover under the drawing board remove the transparent garbage cover from the body;



(2) Clean out the garbage in the transparent cover,

(3) Install the transparent garbage cover to the body, and finally buckle the lock button.

(Reference: 2.1 Body parts assembly)

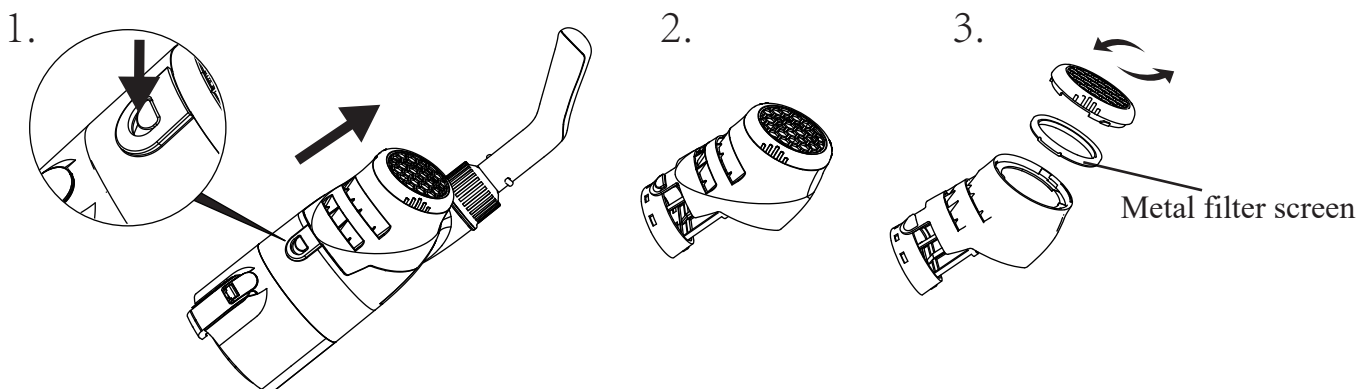
5.2 Back filters cleaning

(1) Press and hold the button at the front end of the filter cover to remove the whole filter cover from the body;

(2) Screw out the rear cover of the filter cover,

(3) Clean the metal filter screen in the filter cover;

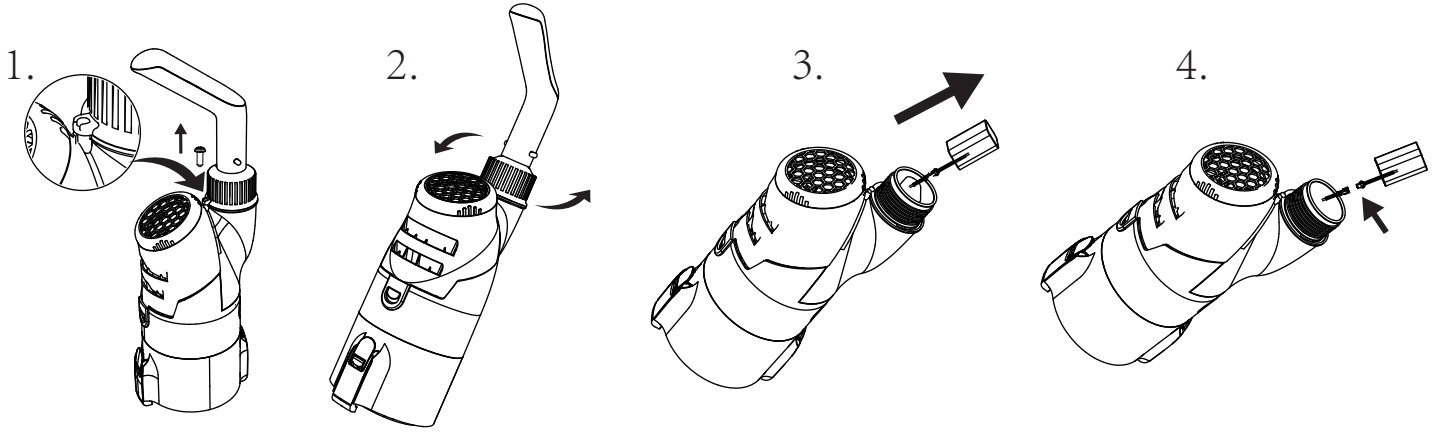
(4) Tighten the rear cover of the filter cover, and assemble the filter cover to the body.



5.3 Battery replacement

NOTE: User must consult dealer before any battery replacement.

Open the screw, loosen the handle, take out the battery pack, gently press the battery power cord to separate and replace the battery.



Maintenance and storage

1. The battery discharges itself during storage. Make sure the robot is fully charged before storage.
2. When not in use, you must recharge the battery at least every three months.
 - Unplug the external adapter from the socket and then the charging cable from the external adapter and the robot.
 - Remove the accessories from the robot. If necessary, rinse the robot and accessories with clean water. Do not use detergent.
 - Make sure the robot is drained before storage.
 - Use a wet cloth to clean and dry the robot and its accessories.
 - Store in a well ventilated place away from sunlight, heat, fire sources, pool chemicals and children.
 - The storage environment temperature should be 10 °C – 25 °C (50 °F – 77 °F). Note: higher temperature may shorten battery life.

Troubleshooting

If you have problems with your cleaner, follow the troubleshooting steps below to restore performance. Note: turn off the power before making any repairs.

Problem	Possible causes	Solution
If only one green LED is lighting and is flashing for around 1 minute and then, the device stops.	The battery is low	Please to recharge again totally the device till the 3 Green LED are totally lighting.
Unable to clean garbage	The battery is low	Please Recharging
	Impeller clogging	Turn off the cleaner and check the impeller to remove the garbage. If necessary, contact your dealer for further instructions. Warning! Before servicing the equipment, make sure that the cleaner is turned off.
	Impeller damage	Please contact your dealer for replacement.
	The filter is full	Clean up the garbage from the filter screen.
	There is too much garbage in the filter element	Clean the garbage of filter element.
Garbage flows out of the front transparency	Anti pour blade damage	Replace the anti reverse flow piece. Please contact your dealer for replacement parts.
	The garbage is too full	Clean the waste of filter screen and filter element.
Rubbish is leaking out of the filter bag	The filter bag is damaged	Replace the filter bag. Please contact your dealer for replacement parts.
The handle / telescopic link cannot be assembled correctly	V-clip damaged	Replace the v-clip. Please contact your dealer for replacement parts.
On a fully charged battery,after pressing the switch,the product will not start and the device will not light.	Battery damage.	Please contact the dealer to replace the battery. Warning! Don't turn on the cleaner and replace the battery yourself. This can cause serious or fatal injury, so the warranty will not be valid.
Power consumption too fast, after starting the device,the lights quickly jump from 3 bars until they are exhausted.		
When charging the product,the indicator light will not be on. (Make sure the charger cable is properly and completely connected to the external adapter and cleaner.)	The charging is damage.	Contact the dealer for replacement. Warning! Using the wrong external adapter will result in damage to the cleaner / battery and void the warranty.
The indicator light 3 green bars flashing all the time, cannot keep 3 green bars lighten at the same time.(All 3 green bars lighten indicate full charging)		